

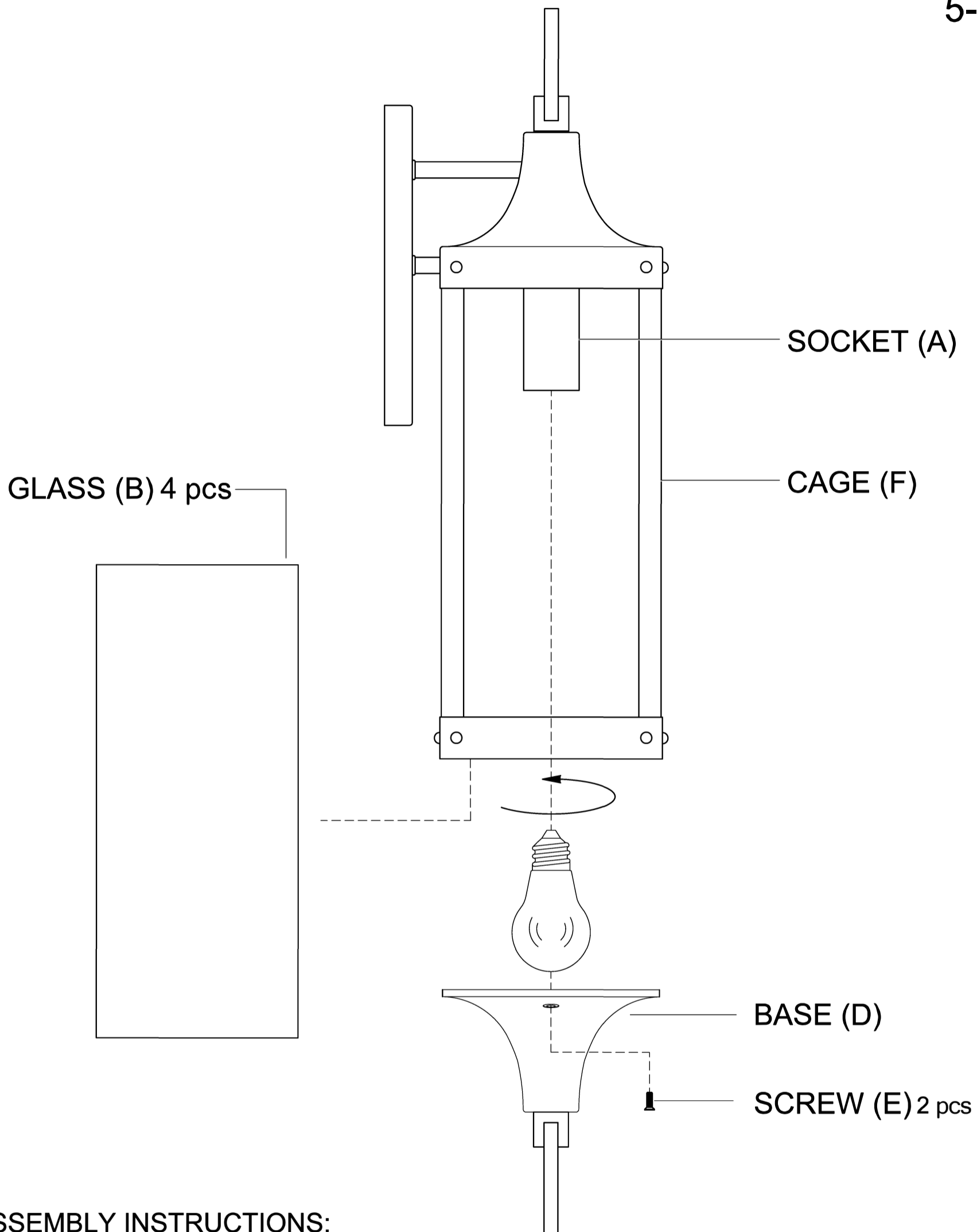


SAVOY
HOUSE

ITEM NO: 5-275

5-276

5-279



ASSEMBLY INSTRUCTIONS:

1. Carefully unpack and identify all parts referring to illustration for parts identification.
2. Turn the power to the installation point OFF.
3. Refer to the additional installation instructions included with the product for wiring and installation.
4. Slide the glass (B) into the channels on the cage (F) and secure them with the glass clips.
5. Install proper bulbs (not included) into each socket referring to the markings and/or labels on the fixture for maximum wattage.
6. Assemble the base (D) onto the cage (F) using the screws (E).
7. Restore power to the installation point and retain this sheet for future reference.