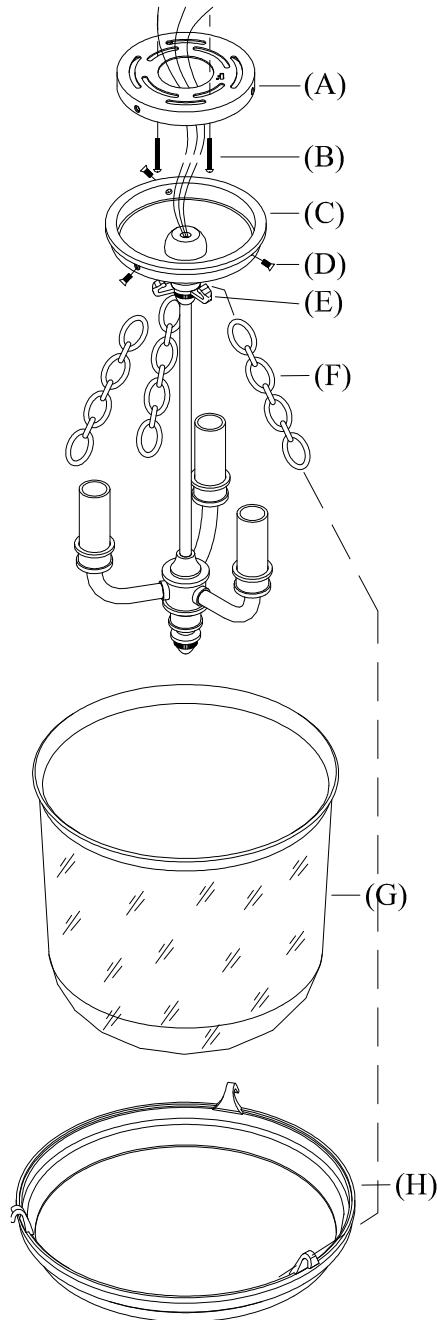


# TOB4212

## ASSEMBLY & INSTALLATION GUIDE



**WE RECOMMEND INSTALLATION OF THIS LIGHTING FIXTURE BE DONE BY A LICENSED ELECTRICIAN.**

**WARNING \*\*\* SWITCH OFF THE MAIN ELECTRICAL SUPPLY FROM THE MAIN FUSE BOX/CIRCUIT BREAKER BEFORE INSTALLATION.**

**INSPECT ITEM CAREFULLY BEFORE ATTEMPTING TO INSTALL. IF THERE IS ANY DAMAGE OR OBVIOUS DEFECT, DO NOT INSTALL.**

**ITEM MAY NOT BE RETURNED ONCE IT HAS BEEN INSTALLED.**

1. Remove mounting plate (A) from canopy base (C) by removing base screws (D).
2. Gently pull the wires from ceiling outlet box and allow the wires to hang. Thread the wires through the center hole of mounting plate (A).
3. Affix mounting plate (A) onto ceiling outlet box and secure with mounting screws (B)
4. Connect ground wire from the light fixture (bare copper) to ground wire from ceiling outlet box (usually green or copper in color).
5. Connect the hot wire from the fixture (BLACK) to the hot wire from ceiling outlet box (usually BLACK). Fasten them together with a plastic wire connector provided and wrap connection with electrical tape.
6. Repeat this procedure for the WHITE neutral wires from the light fixture to the wire from ceiling outlet box (usually WHITE), DO NOT REVERSE THE HOT AND NEUTRAL CONNECTIONS OTHERWISE SAFETY WILL BE COMPROMISED.
7. Attach canopy base (C) to mounting plate (A) by aligning the side holes and secure with base screws (D).
8. Attach the one end links of the side chains (F) to the hooks (E).
9. Insert light bulbs into sockets.
10. Slide the metal ring (H) over glass shade (G) and hook it to the other end link of side chains (F).