

TEAR SHEET

Phial Large Display Form Table Lamp

Item # RB 3090EG/WI-L

Designer: Ray Booth

Height: 23.25"

Width: 17.5"

Base: 5.75" x 9.75" Decorative

Finishes: CG/WI, EG/WI

Shade Treatments: L

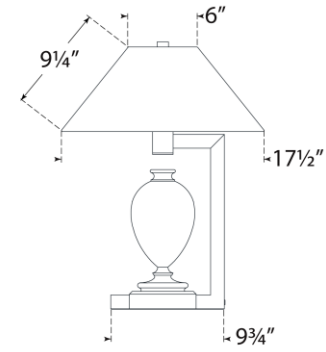
Shade Details: 6" x 17.5" x 9.25"

Lightsource: E26 Dimmer and Dedicated LED

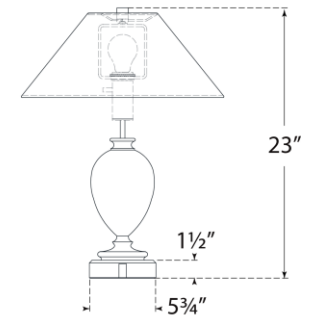
Wattage: 15 LED A19 and 9w(1080lm)

Weight: 11 Pounds

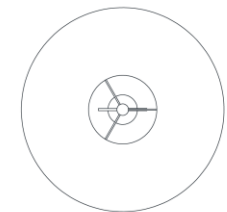
Note: UL Only



Side View



Front View



Top View